



V SCRAPER

The C&M V Scraper is a heavy-duty land levelling implement designed for efficient orchard floor maintenance and soil management. Built to work between tree rows, it helps maintain mound structure and improves drainage and irrigation flow.

Australian-designed and built for durability, the V Scraper delivers reliable performance in levelling soil, managing debris, and preparing orchard floors after harvest, with a robust, adjustable design for consistent, well-formed beds.



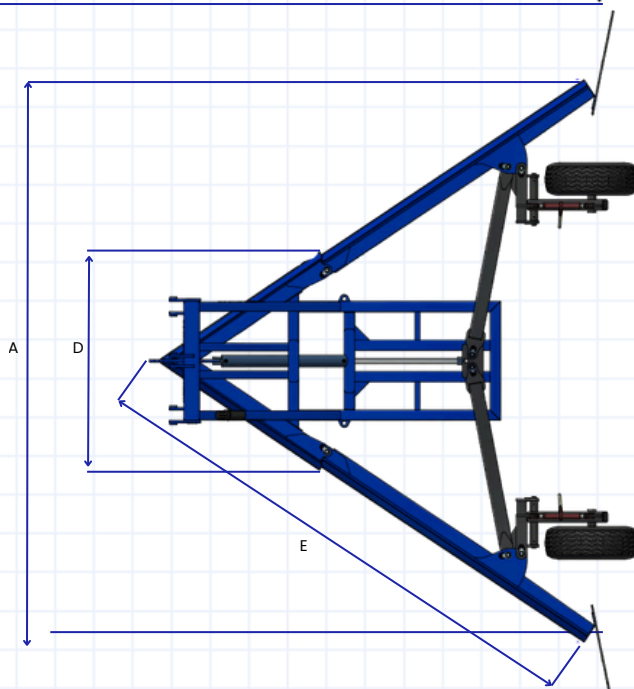
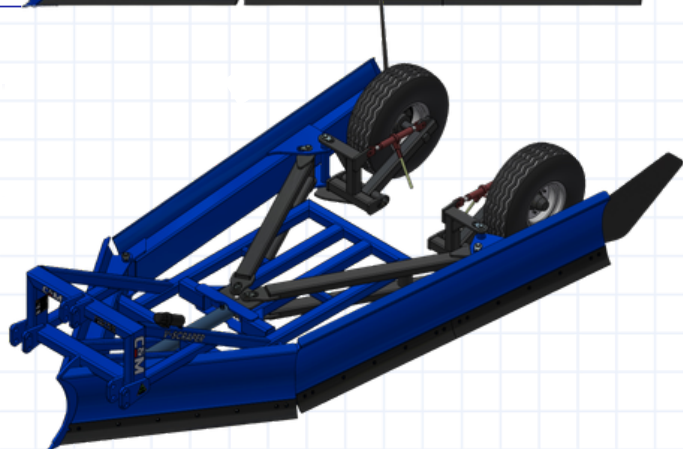
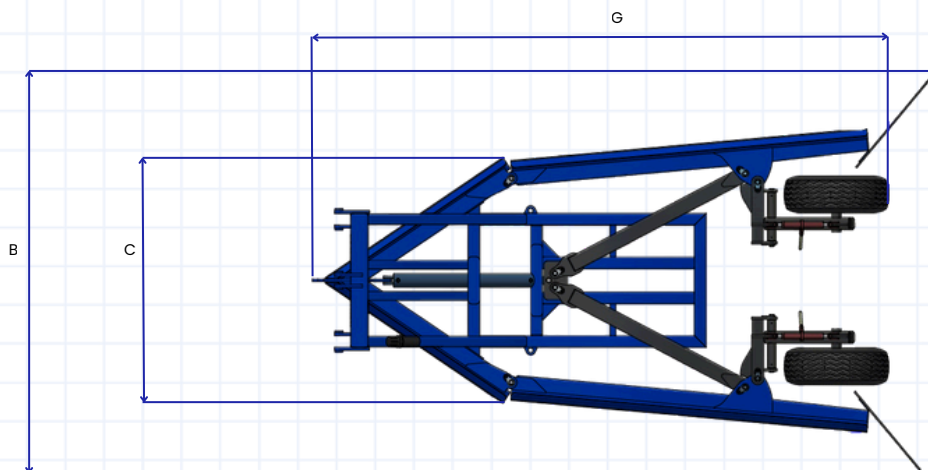
FEATURES & BENEFITS

- Heavy-duty linkage-mounted design for orchard and field use
- Hydraulic wing adjustment for shaping, folding, and transport
- Adjustable cutting depth for optimal soil and root protection
- Two rear depth control wheels for stability and consistency
- Levels, smooths, and redistributes soil for better irrigation and drainage





**SCAN FOR
MORE INFO**



MODEL	CMVS
DESCRIPTION	C&M V-Scraper
A = MAXIMUM WING WIDTH	5380mm
B = MINIMUM WING WIDTH	2580mm
C= MINIMUM BED WIDTH	2090mm
D = MAXIMUM BED WIDTH	2090mm
E = TOTAL BLADE LENGTH	4850mm
F = BLADE HEIGHT	620mm
G = OVERALL LENGTH	5000mm
BED WIDTH ADJUSTMENT	Hydraulic
GRADER BLADE SIZES	5' x 6" x 5/8" [GB5658] 6' x 6" x 5/8" [GB6658]
CATEGORY LINKAGE	Cat 3/4
WEIGHT	2400kg
POWDER COATED FINISH	Yes
MINIMUM TRACTOR HP	200HP
TYRES	12.5/80 R15 [CMCRMWTP]
AXLES	2800kg [606XR]

COLLIER & MILLER